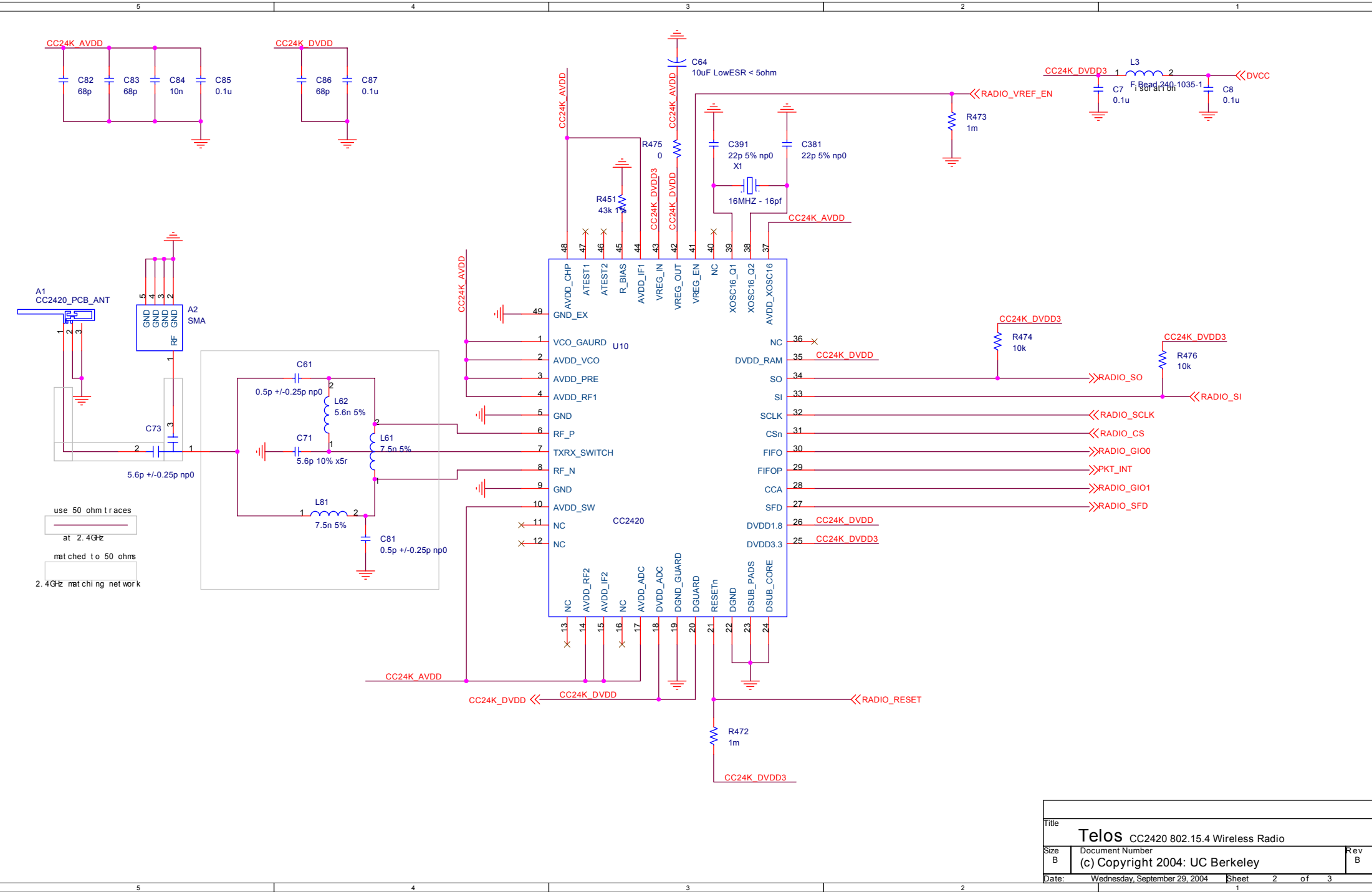
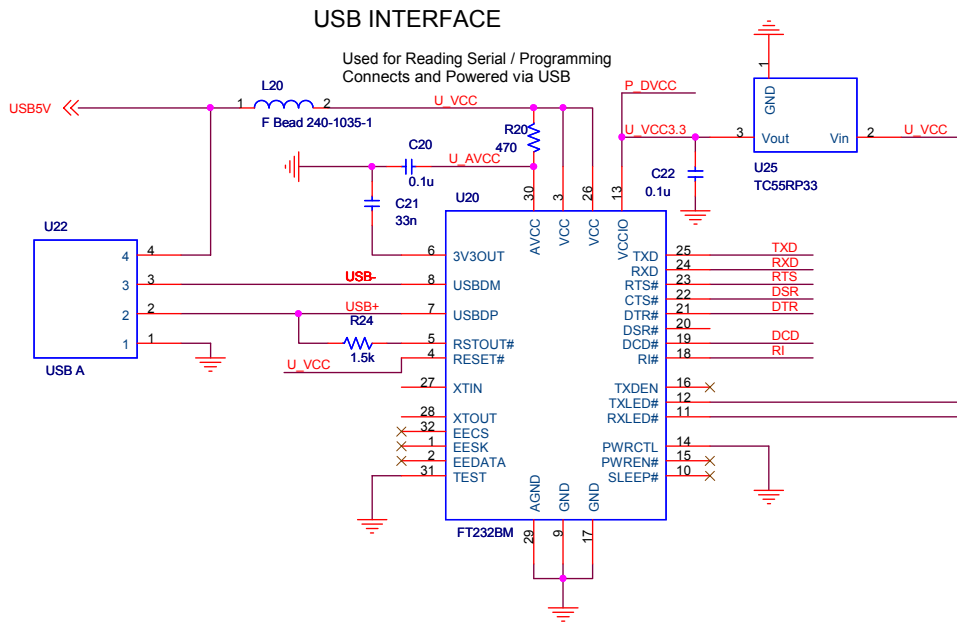


By default, R\_VREF connects to ground. If R\_VREF is moved to adjacent pins, external voltage reference may be connected to ADC0; in that case ensure that ADC0 is configured as an IO pin in the input direction.

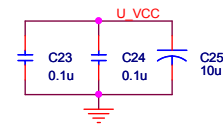
Title		
<b>Tmote Sky</b>		
Size	Document Number	Rev
B	(c) Copyright 2004: UC Berkeley, 2006: Moteiv	B
Date:	Thursday, May 11, 2006	Sheet 1 of 3



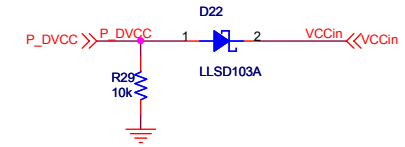
Title		
Telos CC2420 802.15.4 Wireless Radio		
Size	Document Number	Rev
B	(c) Copyright 2004: UC Berkeley	B
Date:	Wednesday, September 29, 2004	Sheet 2 of 3



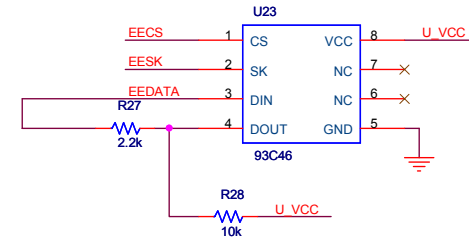
### USB POWER FILTER



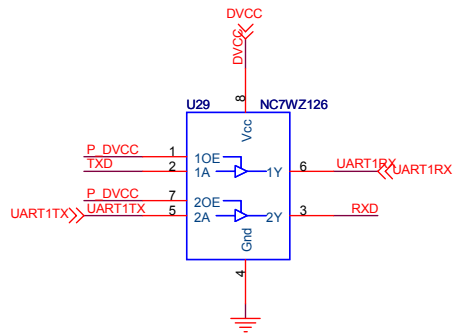
### MOTE POWER



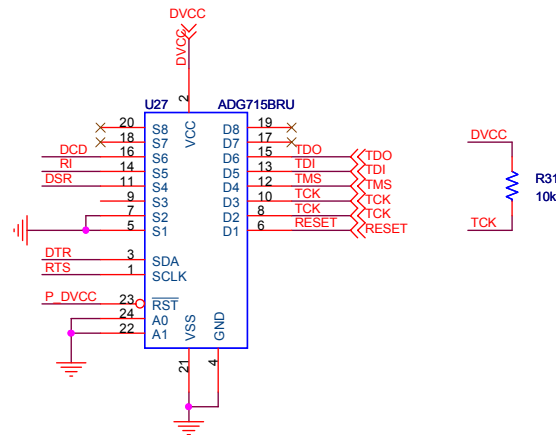
### USB IDENTIFICATION EEPROM



### I/O BUFFER



### RESET SEQUENCE RECOGNITION



Title		
Tmote Sky		USB Interface
Size	Document Number	Rev
B	(c) Copyright 2004: UC Berkeley, 2006: Moteiv	B
Date:	Thursday, April 06, 2006	Sheet 3 of 3